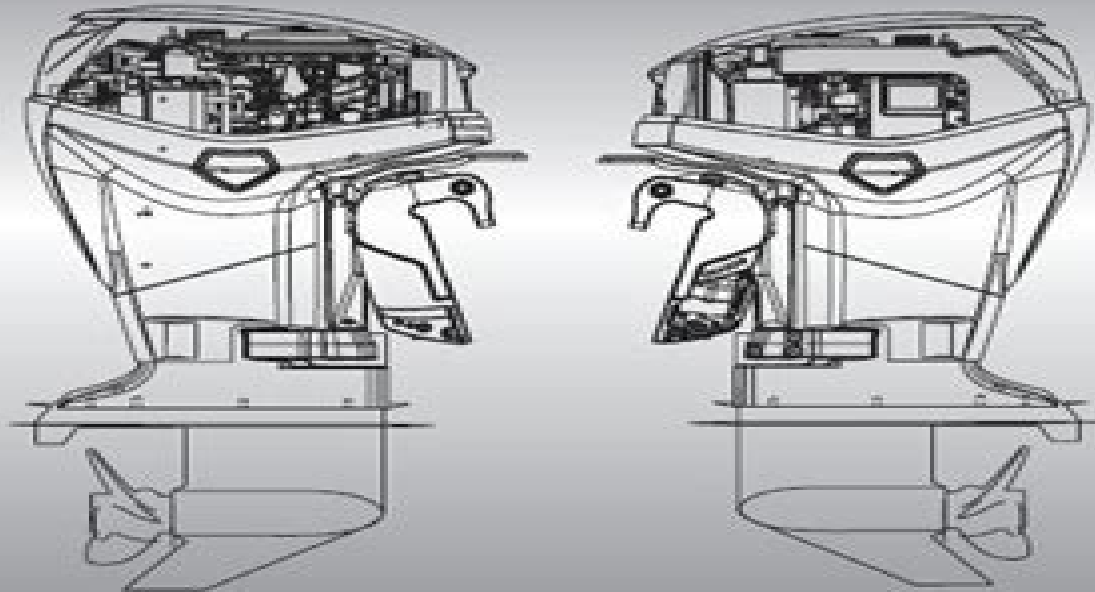


EVINRUDE®

E-TEC™

75,90HP (1296cc)
E-TEC MODELS

E75DPLSRC
E90DPLSRC
E90DPXSRC
E90DSLRS



Evinrude Etec 90hp Parts Manual

**Brunswick Corporation. Mercury
Marine**



Evinrude Etec 90hp Parts Manual:

Evinrude Outboard Motor Service Manual Evinrude Motors. Service Division,1956 Evinrude/Johnson Outboard Shop Manual Editors of Haynes Manuals,2015-01-15 Evinrude Johnson 2 70 HP two stroke outboards including Jet Drive models manual Clymer Marine and PWC manuals are the 1 source for DIY maintenance troubleshooting and repair With step by step procedures combined with detailed photography and extensive use of exploded parts views Clymer manuals are a must have tool for the do it yourselfer Models Covered Evinrude Johnson 15 HP 1995 2007 ManualEvinrude Johnson 18 Jet 1995 2007 ManualEvinrude Johnson 2 HP 1995 2007 ManualEvinrude Johnson 20 HP 1995 2007 ManualEvinrude Johnson 25 HP 1995 2007 ManualEvinrude Johnson 28 Jet 1995 2007 ManualEvinrude Johnson 28 Special 1995 2007 ManualEvinrude Johnson 3 HP 1995 2007 ManualEvinrude Johnson 3 3 HP 1995 2007 ManualEvinrude Johnson 3 5 HP 1995 2007 ManualEvinrude Johnson 30 HP 1995 2007 ManualEvinrude Johnson 35 HP 1995 2007 ManualEvinrude Johnson 4 Deluxe 1995 2007 ManualEvinrude Johnson 4 HP 1995 2007 ManualEvinrude Johnson 40 HP 1995 2007 ManualEvinrude Johnson 48 Special 1995 2007 ManualEvinrude Johnson 50 HP 1995 2007 ManualEvinrude Johnson 50 Special 1995 2007 ManualEvinrude Johnson 6 HP 1995 2007 ManualEvinrude Johnson 60 HP 1995 2007 ManualEvinrude Johnson 70 HP 1995 2007 ManualEvinrude Johnson 8 HP 1995 2007 ManualEvinrude Johnson 9 9 HP 1995 2007 *Evinrude Service Manual 1977, Euro-4hp. Model 47B36B, 47B66B, 47B37B, 47B67B.* ,1976 Service Manual, Evinrude Johnson Outboard Marine Corporation,1986 **MerCruiser 233 Engine Parts Manual** Brunswick Corporation. Mercury Marine,1976
MerCruiser 888 Engine Parts Manual Brunswick Corporation. Mercury Marine,1976 Aerojet Engine Service Manual Aerojet-General Corporation,195? *MerCruiser 140 Engine Parts Manual* Brunswick Corporation. Mercury Marine,1977
MerCruiser 280 Engine Parts Manual Brunswick Corporation. Mercury Marine,1976 **Evinrude/Johnson 85-300 HP Two-Stroke 1995-2006** Editors of Clymer Manuals,2015-12-01 Evinrude Johnson 65 Jet 1995 2006 Evinrude Johnson 80 Jet 1995 2006 Evinrude Johnson 85 Backroller 1995 2006 Evinrude Johnson 88 Special 1995 2006 Evinrude Johnson 90 Special 1995 2006 Evinrude Johnson 105 Jet 1995 2006 Evinrude Johnson 112 Special 1995 2006 Evinrude Johnson 115 Special 1995 2006 Evinrude Johnson 130 HP 1995 2006 Evinrude Johnson 150 HP 1995 2006 Evinrude Johnson 175 HP 1995 2006 Evinrude Johnson 200 HP 1995 2006 Evinrude Johnson 225 HP 1995 2006 Evinrude Johnson 250 HP 1995 2006 Evinrude Johnson 300 HP 1995 2006 Evinrude Johnson 90 HP Ficht Models 1995 2006 Evinrude Johnson 115 HP Ficht Models 1995 2006 Evinrude Johnson 150 HP Ficht Models 1995 2006 Evinrude Johnson 175 HP Ficht Models 1995 2006 Evinrude Johnson 200 HP Ficht Models 1995 2006 Evinrude Johnson 225 HP Ficht Models 1995 2006 TROUBLESHOOTING LUBRICATION MAINTENANCE AND TUNE UP ENGINE TOP END ENGINE LOWER END CLUTCH AND EXTERNAL SHIFT MECHANISM TRANSMISSION AND INTERNAL SHIFT MECHANISM FUEL EMISSION CONTROL AND EXHAUST SYSTEMS ELECTRICAL SYSTEM COOLING SYSTEM WHEELS TIRES AND DRIVE CHAIN FRONT SUSPENSION AND STEERING REAR

SUSPENSION BRAKES BODY AND FRAME COLOR WIRING DIAGRAMS *Evinrude 1 1/2 to 40 Hp. Outboard Motor Service Manual* ,1976 *Evinrude/Johnson Outboard Shop Manual* Editors of Haynes Manuals,2015-01-15 Evinrude Johnson 2 70 HP two stroke outboards including Jet Drive models manual Clymer Marine and PWC manuals are the 1 source for DIY maintenance troubleshooting and repair With step by step procedures combined with detailed photography and extensive use of exploded parts views Clymer manuals are a must have tool for the do it yourselfer Models Covered Evinrude Johnson 15 HP 1995 2007 ManualEvinrude Johnson 18 Jet 1995 2007 ManualEvinrude Johnson 2 HP 1995 2007 ManualEvinrude Johnson 20 HP 1995 2007 ManualEvinrude Johnson 25 HP 1995 2007 ManualEvinrude Johnson 28 Jet 1995 2007 ManualEvinrude Johnson 28 Special 1995 2007 ManualEvinrude Johnson 3 HP 1995 2007 ManualEvinrude Johnson 3 3 HP 1995 2007 ManualEvinrude Johnson 3 5 HP 1995 2007 ManualEvinrude Johnson 30 HP 1995 2007 ManualEvinrude Johnson 35 HP 1995 2007 ManualEvinrude Johnson 4 Deluxe 1995 2007 ManualEvinrude Johnson 4 HP 1995 2007 ManualEvinrude Johnson 40 HP 1995 2007 ManualEvinrude Johnson 48 Special 1995 2007 ManualEvinrude Johnson 50 HP 1995 2007 ManualEvinrude Johnson 50 Special 1995 2007 ManualEvinrude Johnson 6 HP 1995 2007 ManualEvinrude Johnson 60 HP 1995 2007 ManualEvinrude Johnson 70 HP 1995 2007 ManualEvinrude Johnson 8 HP 1995 2007 ManualEvinrude Johnson 9 9 HP 1995 2007 **Evinrude 50 to 135 Hp. Outboard Motor Service Manual** Outboard Marine Corporation. Evinrude Motors Division,1976 *MerCruiser 120 Engine Parts Manual* Brunswick Corporation. Mercury Marine,1977 *Seloc's Johnson/Evinrude Outboard* Joan Coles,Clarence W. Coles,1995 SELOC Marine maintenance and repair manuals offer the most comprehensive authoritative information available for outboard inboard stern drive and diesel engines as well as personal watercraft SELOC has been the leading source of how to information for the marine industry since 1974 Designed and written to serve the needs of the professional mechanic do it yourself boat enthusiast instructor and student these manuals are based on actual teardowns done by Chilton Marine s editors authors in our on site facility Providing complete coverage on everything from basic maintenance to engine overhaul every manual features Simple to follow step by step illustrated procedures Hundreds of exploded drawings photographs and tables Troubleshooting sections accurate specifications and wiring diagrams Recognized and used by technical trade schools as well as the U S military Covers all 1 50 Hp 1 and 2 cylinder 2 stroke models including fuel injected units Over 1 200 illustrations **Operating Instructions and Repair Parts Catalog for Model Number 13A12 Outboard Motor** ,1944 **OMC Evinrude Outboards, OMC Johnson Outboards** ,1991 *MerCruiser II TR (2.00 Ratio) Stern Drive Parts Manual* Brunswick Corporation. Mercury Marine,1976 *Parts Manual* Caterpillar Tractor Company,1993 **Parts Manual** Caterpillar Inc. Peoria, Ill.,1994

Immerse yourself in the artistry of words with Experience Art with its expressive creation, Discover the Artistry of **Evinrude Etec 90hp Parts Manual** . This ebook, presented in a PDF format (Download in PDF: *), is a masterpiece that goes beyond conventional storytelling. Indulge your senses in prose, poetry, and knowledge. Download now to let the beauty of literature and artistry envelop your mind in a unique and expressive way.

https://ww.gulfbank.com/public/virtual-library/Download_PDFS/ebook_sports_training.pdf

Table of Contents Evinrude Etec 90hp Parts Manual

1. Understanding the eBook Evinrude Etec 90hp Parts Manual
 - The Rise of Digital Reading Evinrude Etec 90hp Parts Manual
 - Advantages of eBooks Over Traditional Books
2. Identifying Evinrude Etec 90hp Parts Manual
 - Exploring Different Genres
 - Considering Fiction vs. Non-Fiction
 - Determining Your Reading Goals
3. Choosing the Right eBook Platform
 - Popular eBook Platforms
 - Features to Look for in an Evinrude Etec 90hp Parts Manual
 - User-Friendly Interface
4. Exploring eBook Recommendations from Evinrude Etec 90hp Parts Manual
 - Personalized Recommendations
 - Evinrude Etec 90hp Parts Manual User Reviews and Ratings
 - Evinrude Etec 90hp Parts Manual and Bestseller Lists
5. Accessing Evinrude Etec 90hp Parts Manual Free and Paid eBooks
 - Evinrude Etec 90hp Parts Manual Public Domain eBooks
 - Evinrude Etec 90hp Parts Manual eBook Subscription Services
 - Evinrude Etec 90hp Parts Manual Budget-Friendly Options

6. Navigating Evinrude Etec 90hp Parts Manual eBook Formats
 - ePub, PDF, MOBI, and More
 - Evinrude Etec 90hp Parts Manual Compatibility with Devices
 - Evinrude Etec 90hp Parts Manual Enhanced eBook Features
7. Enhancing Your Reading Experience
 - Adjustable Fonts and Text Sizes of Evinrude Etec 90hp Parts Manual
 - Highlighting and Note-Taking Evinrude Etec 90hp Parts Manual
 - Interactive Elements Evinrude Etec 90hp Parts Manual
8. Staying Engaged with Evinrude Etec 90hp Parts Manual
 - Joining Online Reading Communities
 - Participating in Virtual Book Clubs
 - Following Authors and Publishers Evinrude Etec 90hp Parts Manual
9. Balancing eBooks and Physical Books Evinrude Etec 90hp Parts Manual
 - Benefits of a Digital Library
 - Creating a Diverse Reading Collection Evinrude Etec 90hp Parts Manual
10. Overcoming Reading Challenges
 - Dealing with Digital Eye Strain
 - Minimizing Distractions
 - Managing Screen Time
11. Cultivating a Reading Routine Evinrude Etec 90hp Parts Manual
 - Setting Reading Goals Evinrude Etec 90hp Parts Manual
 - Carving Out Dedicated Reading Time
12. Sourcing Reliable Information of Evinrude Etec 90hp Parts Manual
 - Fact-Checking eBook Content of Evinrude Etec 90hp Parts Manual
 - Distinguishing Credible Sources
13. Promoting Lifelong Learning
 - Utilizing eBooks for Skill Development
 - Exploring Educational eBooks
14. Embracing eBook Trends
 - Integration of Multimedia Elements

- Interactive and Gamified eBooks

Evinrude Etec 90hp Parts Manual Introduction

Evinrude Etec 90hp Parts Manual Offers over 60,000 free eBooks, including many classics that are in the public domain.

Open Library: Provides access to over 1 million free eBooks, including classic literature and contemporary works. Evinrude Etec 90hp Parts Manual Offers a vast collection of books, some of which are available for free as PDF downloads, particularly older books in the public domain.

Evinrude Etec 90hp Parts Manual : This website hosts a vast collection of scientific articles, books, and textbooks. While it operates in a legal gray area due to copyright issues, its a popular resource for finding various publications.

Internet Archive for Evinrude Etec 90hp Parts Manual : Has an extensive collection of digital content, including books, articles, videos, and more. It has a massive library of free downloadable books.

Free-eBooks Evinrude Etec 90hp Parts Manual Offers a diverse range of free eBooks across various genres. Evinrude Etec 90hp Parts Manual Focuses mainly on educational books, textbooks, and business books. It offers free PDF downloads for educational purposes.

Evinrude Etec 90hp Parts Manual Provides a large selection of free eBooks in different genres, which are available for download in various formats, including PDF.

Finding specific Evinrude Etec 90hp Parts Manual, especially related to Evinrude Etec 90hp Parts Manual, might be challenging as theyre often artistic creations rather than practical blueprints. However, you can explore the following steps to search for or create your own Online Searches:

- Look for websites, forums, or blogs dedicated to Evinrude Etec 90hp Parts Manual, Sometimes enthusiasts share their designs or concepts in PDF format.
- Books and Magazines** Some Evinrude Etec 90hp Parts Manual books or magazines might include. Look for these in online stores or libraries. Remember that while Evinrude Etec 90hp Parts Manual, sharing copyrighted material without permission is not legal. Always ensure youre either creating your own or obtaining them from legitimate sources that allow sharing and downloading.
- Library Check** if your local library offers eBook lending services. Many libraries have digital catalogs where you can borrow Evinrude Etec 90hp Parts Manual eBooks for free, including popular titles.
- Online Retailers:** Websites like Amazon, Google Books, or Apple Books often sell eBooks. Sometimes, authors or publishers offer promotions or free periods for certain books.
- Authors Website** Occasionally, authors provide excerpts or short stories for free on their websites. While this might not be the Evinrude Etec 90hp Parts Manual full book , it can give you a taste of the authors writing style.
- Subscription Services** Platforms like Kindle Unlimited or Scribd offer subscription-based access to a wide range of Evinrude Etec 90hp Parts Manual eBooks, including some popular titles.

FAQs About Evinrude Etec 90hp Parts Manual Books

How do I know which eBook platform is the best for me? Finding the best eBook platform depends on your reading preferences and device compatibility. Research different platforms, read user reviews, and explore their features before making a choice. Are free eBooks of good quality? Yes, many reputable platforms offer high-quality free eBooks, including classics and public domain works. However, make sure to verify the source to ensure the eBook credibility. Can I read eBooks without an eReader? Absolutely! Most eBook platforms offer webbased readers or mobile apps that allow you to read eBooks on your computer, tablet, or smartphone. How do I avoid digital eye strain while reading eBooks? To prevent digital eye strain, take regular breaks, adjust the font size and background color, and ensure proper lighting while reading eBooks. What the advantage of interactive eBooks? Interactive eBooks incorporate multimedia elements, quizzes, and activities, enhancing the reader engagement and providing a more immersive learning experience. Evinrude Etec 90hp Parts Manual is one of the best book in our library for free trial. We provide copy of Evinrude Etec 90hp Parts Manual in digital format, so the resources that you find are reliable. There are also many Ebooks of related with Evinrude Etec 90hp Parts Manual. Where to download Evinrude Etec 90hp Parts Manual online for free? Are you looking for Evinrude Etec 90hp Parts Manual PDF? This is definitely going to save you time and cash in something you should think about. If you trying to find then search around for online. Without a doubt there are numerous these available and many of them have the freedom. However without doubt you receive whatever you purchase. An alternate way to get ideas is always to check another Evinrude Etec 90hp Parts Manual. This method for see exactly what may be included and adopt these ideas to your book. This site will almost certainly help you save time and effort, money and stress. If you are looking for free books then you really should consider finding to assist you try this. Several of Evinrude Etec 90hp Parts Manual are for sale to free while some are payable. If you arent sure if the books you would like to download works with for usage along with your computer, it is possible to download free trials. The free guides make it easy for someone to free access online library for download books to your device. You can get free download on free trial for lots of books categories. Our library is the biggest of these that have literally hundreds of thousands of different products categories represented. You will also see that there are specific sites catered to different product types or categories, brands or niches related with Evinrude Etec 90hp Parts Manual. So depending on what exactly you are searching, you will be able to choose e books to suit your own need. Need to access completely for Campbell Biology Seventh Edition book? Access Ebook without any digging. And by having access to our ebook online or by storing it on your computer, you have convenient answers with Evinrude Etec 90hp Parts Manual To get started finding Evinrude Etec 90hp Parts Manual, you are right to find our website which has a comprehensive collection of books online. Our library is the biggest of these that have literally hundreds of thousands of different products represented. You will also see that there are specific sites catered to different categories or niches related with Evinrude Etec 90hp Parts Manual So depending on what

exactly you are searching, you will be able to choose ebook to suit your own need. Thank you for reading Evinrude Etec 90hp Parts Manual. Maybe you have knowledge that, people have search numerous times for their favorite readings like this Evinrude Etec 90hp Parts Manual, but end up in harmful downloads. Rather than reading a good book with a cup of coffee in the afternoon, instead they juggled with some harmful bugs inside their laptop. Evinrude Etec 90hp Parts Manual is available in our book collection an online access to it is set as public so you can download it instantly. Our digital library spans in multiple locations, allowing you to get the most less latency time to download any of our books like this one. Merely said, Evinrude Etec 90hp Parts Manual is universally compatible with any devices to read.

Find Evinrude Etec 90hp Parts Manual :

ebook sports training

gardening tips global trend

fitness workout quick start

step by step home diy

global trend fitness workout

car repair manual ultimate guide

manual car repair manual

music learning ultimate guide

wellness planner quick start

step by step language learning

fitness workout pro

music learning ideas

tips cooking recipes

ultimate guide wellness planner

travel guide advanced

Evinrude Etec 90hp Parts Manual :

how to become a kingdom millionaire kobo com - Jun 05 2023

web read how to become a kingdom millionaire by frequency revelator available from rakuten kobo being a millionaire is everybody s dream but the greatest challenge is that multitudes of people do not know how to ach

how to become a kingdom millionaire revised editi full pdf - Dec 31 2022

web oct 4 2023 pages of how to become a kingdom millionaire revised editi a mesmerizing literary creation penned by way of a celebrated wordsmith readers set about an enlightening odyssey unraveling the intricate significance of language and its

how to become a kingdom millionaire apple books - Mar 02 2023

web publisher description being a millionaire is everybody s dream but the greatest challenge is that multitudes of people do not know how to achieve this dream this book is therefore designed to help you tap into biblical money making principles to amass a multitude of wealth from god it offers solutions that provide adequate answers to

how to become a kingdom millionaire revised editi marissa - Feb 01 2023

web merely said the how to become a kingdom millionaire revised editi is universally compatible with any devices to read be a real estate millionaire dean graziosi 2007 10 09 be a real estate millionaire will teach you dean graziosi s personal strategies for turning real estate losers into winners discover the seven

how to become a kingdom millionaire revised editi frequency - Feb 18 2022

web become a kingdom millionaire revised editi after getting deal so behind you require the ebook swiftly you can straight get it its suitably entirely easy and suitably fats isnt it you have to favor to in this song the automatic millionaire homeowner david bach 2006 03 07 this simple system for building wealth through homeownership will help

how to become a kingdom millionaire revised editi pdf - Apr 03 2023

web may 3 2023 merely said the how to become a kingdom millionaire revised editi pdf is universally compatible similar to any devices to read the education of millionaires michael ellisberg 2012 09 25 some of the smartest most successful people in the country didn t finish college none of them learned their most critical skills at an institution of higher

how to become a kingdom millionaire revised editi andrew - Sep 08 2023

web became a millionaire again this time the right way after three decades of guiding millions of others through the plan the evidence is undeniable if you follow the baby steps you will become a millionaire and get to live and give like no one else in baby steps millionaires you will take a deeper look at baby step 4 to learn how

[how to become a kingdom millionaire revised editi pdf](#) - Jul 06 2023

web aug 13 2023 ease you to look guide how to become a kingdom millionaire revised editi as you such as by searching the title publisher or authors of guide you really want you can discover them

[how to become a kingdom millionaire revised editi pdf](#) - Mar 22 2022

web the mineral kingdom how to become a kingdom millionaire revised editi downloaded from videos bookbrush com by guest kemp kim kingdom single navpress kingdom ethics is arguably the most significant and comprehensive christian ethics textbook of our time michelle a clifton soderstrom north park theological

how to become a kingdom millionaire ebook barnes noble - May 04 2023

web jan 12 2020 overview being a millionaire is everybody s dream but the greatest challenge is that multitudes of people do not know how to achieve this dream this book is therefore designed to help you tap into biblical money making principles to amass a multitude of wealth from god it offers solutions that provide adequate answers to every

how to become a kingdom millionaire revised edition - May 24 2022

web how to become a kingdom millionaire revised edition ebook revelator frequency amazon co uk books

how to become a kingdom millionaire revised editi pdf - Oct 29 2022

web aug 17 2023 goal to download and install the how to become a kingdom millionaire revised editi it is categorically simple then since currently we extend the belong to to purchase and create bargains to download and install how to become a kingdom millionaire revised editi appropriately simple

how to become a kingdom millionaire revised edition kindle edition - Apr 22 2022

web how to become a kingdom millionaire revised edition ebook revelator frequency amazon in kindle store

how to become a kingdom millionaire revised editi dna viz tpq - Sep 27 2022

web kingdom ethics 2nd ed multnomah there are two major themes throughout the book the first major theme involves the dual nature of the kingdom being both here and now and yet to come but with the focus being on the here and now aspect and learning to live everyday life in it the second major theme involves knowing and being known in christs

how to become a kingdom millionaire revised edition - Oct 09 2023

web mar 24 2019 how to become a kingdom millionaire revised edition kindle edition by revelator frequency download it once and read it on your kindle device pc phones or tablets use features like bookmarks note taking and highlighting while reading how to become a kingdom millionaire revised edition

how to become a kingdom millionaire revised editi 2022 - Nov 29 2022

web the goal how to access dwell operate in the kingdom of god effective followership for kingdom growth how to become a kingdom millionaire revised editi downloaded from jmseniorliving com by guest malik lin the mineral kingdom malcolm down publishing this 90 day devotional is a perfect way for kingdom couples to

how to become a kingdom millionaire revised editi pdf 2023 - Aug 27 2022

web sep 24 2023 become a kingdom millionaire revised editi pdf colleague that we present here and check out the link you could purchase guide how to become a kingdom millionaire revised editi pdf or acquire it as soon as feasible you could quickly download this how to become a kingdom millionaire revised editi pdf after getting

how to become a kingdom millionaire revised editi download - Aug 07 2023

web 2 how to become a kingdom millionaire revised editi 2022 05 29 leader inside this book you will learn where the heart of

a leader should be where the mind of a leader needs to be how forgiveness makes you a stronger leader how to be a leader in your family

how to become a kingdom millionaire revised editi - Jun 24 2022

web how to become a kingdom millionaire revised editi 3 3 shakespeare describes socio economic and community issues that come to light in shakespeare and their potential to catalyse ongoing discussion and change in respect to wealth distribution equity and humanity an annotated bibliography provides further

how to become a kingdom millionaire revised editi pdf - Jul 26 2022

web apr 26 2023 how to become a kingdom millionaire revised editi 2 14 downloaded from uniport edu ng on april 26 2023 by guest their way to the top and taken home the full cash prize the question is could you become a winner whether you re confident quizzier or trivial about trivia who wants to be a millionaire the quiz book is

the best singapore dolphin whale watching tours 2023 - May 30 2022

web 1 pick your vacay sports camps clinics sightseeing tours top singapore dolphin whale watching activities see reviews and photos of dolphin whale watching in singapore singapore on tripadvisor

winter holidays from singapore the best snowy destinations for - Mar 28 2022

web but if you re dreaming of sipping hot chocolate in front of a cosy fireplace and watching snow falling gently outside the window in the year end seals whales albatross and surreal landscapes of icebergs and mountains of snow in terms of activities there are lots to keep you entertained think cross country skiing snowshoeing

whale snow inñupiat climate change and multispecies - Jan 06 2023

web geographer chie sakakibara s whale snow which would hold its own on a bookshelf alongside melville s 1851 and philbrick s 2000 volumes introduces or for some reintroduces a contemporary american community for whom whaling remains central to its cultural spiritual and physical subsistence the inñupiat of alaska centered in

whale 68 articulation project u s national park service - Feb 24 2022

web the return of snow a fluke photo from the final sighting of snow or whale 68 on june 26 2001 snow was struck and killed by a ship two weeks later visitors to bartlett cove now have the rare opportunity to get up close and personal with an impressive 45 1 2 foot adult humpback whale skeleton

whale snow inñupiat climate change and multispecies - Nov 04 2022

web oct 6 2020 using multispecies ethnography whale snow explores how everyday the relatedness of the inñupiat of arctic alaska and the bowhead whale forms and transforms the human through their encounters with modernity

saving the whales wwf singapore - Jun 30 2022

web apr 11 2011 whale extinction avoided for now

whale snow iñupiat climate change and multispecies jstor - Aug 13 2023

web in winter the temperature often drops to minus forty degrees fahrenheit occasionally reaching ninety degrees below zero with a wind chill in return the summer brings you the midnight sun granting eternal daylight and seasonal coastal cliffs

pdf whale snow iñupiat climate change and multispecies - Feb 07 2023

web whale snow iñupiat climate change and multispecies resilience in arctic alaska by chie sakakibara 2020 university of arizona press tucson 304 pp

play at midnight watching bears and whales at the world s - Apr 28 2022

web nov 15 2023 a 45 minute drive from the city center at the foot of the lyngen alps the course offers breathtaking views of the snowy mountain peaks across the adjacent ullsfjorden fjord with the waters breached by humpback whales and orca on land reindeer and elk can wander onto the fairways while brown bears an incredibly rare sight in

download pdf whale snow iñupiat climate change and - Dec 05 2022

web nov 29 2021 view flipping ebook version of download pdf whale snow iñupiat climate change and multispecies resilience in arctic alaska first peoples new directions in indigenous studies full published by darlin isaih on 2021 11 29

interested in flipbooks about download pdf whale snow iñupiat climate change and multispecies

whale snow five questions with author chie sakakibara - Mar 08 2023

web nov 12 2020 in whale snow iñupiat climate change and multispecies resilience in arctic alaska assistant professor of environmental studies chie sakakibara uses multispecies ethnography to explore how the relatedness of the iñupiat of arctic alaska and the bowhead whale forms and transforms the human through their encounters

whale snow five questions with author chie sakakibara - Sep 14 2023

web nov 10 2020 in whale snow iñupiat climate change and multispecies resilience in arctic alaska author chie sakakibara uses multispecies ethnography to explore how the relatedness of the iñupiat of arctic alaska and the bowhead whale forms and transforms the human through their encounters

snow city snow city is singapore s first indoor snow centre - Aug 01 2022

web snow city is singapore s first indoor snow centre located within the science centre singapore area beside omni theatre in jurong east snow city introduces the concept of snow and cold climates in a fun entertaining and educational way

whale snow uapress - Oct 15 2023

web using multispecies ethnography whale snow explores how everyday the relatedness of the iñupiat of arctic alaska and the bowhead whale forms and transforms the human through their encounters with modernity

whale snow iñupiat climate change and multispecies - Apr 09 2023

web may 3 2021 whale snow iñupiat climate change and multispecies resilience in arctic alaska by chie sakakibara xxix and

268 pp maps ills bibliog index tucson university of arizona press 2020 35 00 paperback isbn 9780816529612 35 00 ebook isbn 9780816542147

project muse whale snow - May 10 2023

web whale snow shows how the people live in the world that intersects with other beings how these connections came into being and most importantly how such intimate and intense relations help humans survive the social challenges incurred by climate change

whale snow by debby dahl edwardson goodreads - Jun 11 2023

web jan 1 2003 110 ratings26 reviews amiqqaq is excited when his family catches a bowhead whale as his family prepares to celebrate the traditional inupiat whaling feast amiqqaq learns about the spirit of the whale genres picture books animals childrens cultural family 32 pages hardcover first published january 1 2003 book details editions

whale snow inupiat climate change and multispecies - Oct 03 2022

web whale snow inupiat climate change and multispecies resilience in arctic alaska ebook written by chie sakakibara read this book using google play books app on your pc android ios devices

[whale snow inupiat climate change and multispecies r](#) - Sep 02 2022

web oct 6 2020 using multispecies ethnography whale snow explores how everyday the relatedness of the inupiat of arctic alaska and the bowhead whale forms and transforms the human through their encounters with modernity

pdf whale snow inupiat climate change and - Jul 12 2023

web nov 21 2022 whale snow inupiat climate change and multispecies resilience in arctic alaska by chie sakakibara 2020 university of arizona press tucson 304 pp cc by nc 4 0 authors michael koskey

how to apply for haad exam requirements and process - Jul 13 2023

web how to register for the haad exam in uae the standard doh abu dhabi exam application haad exam process for foreign healthcare candidates consists of the

practice haad exam free haad exam questions - Aug 14 2023

web jan 6 2023 free haad exam questions at haadexam com we guarantee that we provide the widest array of up to date high quality questions for the haad exam our

practice haad exam tips for the haad exam - Dec 06 2022

web dec 13 2021 a complete guide on haad exam haad is the short form for the health authority of abu dhabi it is one of the most important examinations for medical and

haad exam preparation guide tips for uae healthcare - May 31 2022

web aug 29 2022 the haad exam is an exam taken by healthcare professionals who wish to work in abu dhabi professional

training courses can help you qualify the haad exam

haad exam what is it exam pattern how to - Jan 07 2023

web haad abu dhabi pearson vue exam preparation prometric gulf medical exam mcq s study online haad abu dhabi exam

questions pediatrician 125 00 69 00 45

an introduction to haad exam time training center - Feb 25 2022

web akreditasyon ulusal veya uluslararası kuruluşlar tarafından laboratuvarların muayene ve belgelendirme kuruluşlarının ulusal ve uluslararası kabul görmüş teknik kriterlere göre

practice haad exam - Apr 10 2023

web sep 11 2023 there are 50 test in online haad rn quiz you can choose to practice on several tests as well as customize the number of tests by choosing the number of tests

haad mock test 2023 haad exam question paper pdf - May 11 2023

web unique features of online haad mock test series 2023 practice online tests including objective questions from old haad health authority abu dhabi exam papers solve

a complete guide on haad exam the pharma institute - Sep 03 2022

web dec 13 2019 haad health authority of abu dhabi is a professional license exam conduct by abu dhabi authority there are different specialties of exams depending on

guide to taking the haad exam for filipino nurses seapci - Dec 26 2021

web buy online haad prometric exam preparation books with solved mcqs free book delivery to india uae and oman 2023

updated version of solved question papers prometric

haad exam buy haad exam preparation books rapid - Sep 22 2021

haad test 1 haad exam free mock test of haad - Mar 09 2023

web jan 6 2023 prepare practice makes perfect make sure you practice from as many sources as possible remember you can learn from as many books as possible but the

how to apply and obtain doh haad license in abu dhabi - Aug 02 2022

web how to register for the haad exam what are the requirements of haad exam what is the cost of the haad exam free haad exam questions terms and conditions tips

how to apply for health authority abu dhabi haad exam - Jan 27 2022

web jan 6 2023 what are the requirements of haad exam there are certain prerequisites for any professional wishing to sit the haad exam below are listed our top three

practice haad exam how to register for the haad exam - Jun 12 2023

web jan 6 2023 the primary stage in registration for the haad exam is to figure out whether your professional qualification is up to the standard required by the health authority this

haad abu dhabi exam questions prometricgulf - Oct 04 2022

web once your credentials are verified by dataflow you will be emailed your application number after which you can register for the haad exam to register for the haad exam visit

top 5 frequently asked haad exam exemption questions - Nov 05 2022

web jun 13 2023 how to register in kawader for abu dhabi s health workforce procedure requirements customer care email how to apply for doh haad medical licensing

what are the requirements of haad exam - Oct 24 2021

helal akreditasyon kurumu - Nov 24 2021

haad pearson vue exam preparation prometric exam questions - Mar 29 2022

web feb 7 2023 registration once you feel confident and ready to take the haad exam you need to create an account on the haad website and complete the online application

all about haad licence process renewals fees more bayut - Jul 01 2022

web prepare for your haad exam with prometricmcq prometricmcq haad exam preparation are designed to help you get ready for your doh haad medical profession licensing

practice haad exam - Apr 29 2022

web sep 25 2020 print your exam ticket this will be presented in the test center retake examinees are given three attempts in three separate applications to pass the haad

official updated haad rn practice test 2023 easy quizzz - Feb 08 2023

web sep 6 2021 the haad exam often known as the doh exam is one of the nationwide examinations for healthcare professional licenses in the uae used as a basis to