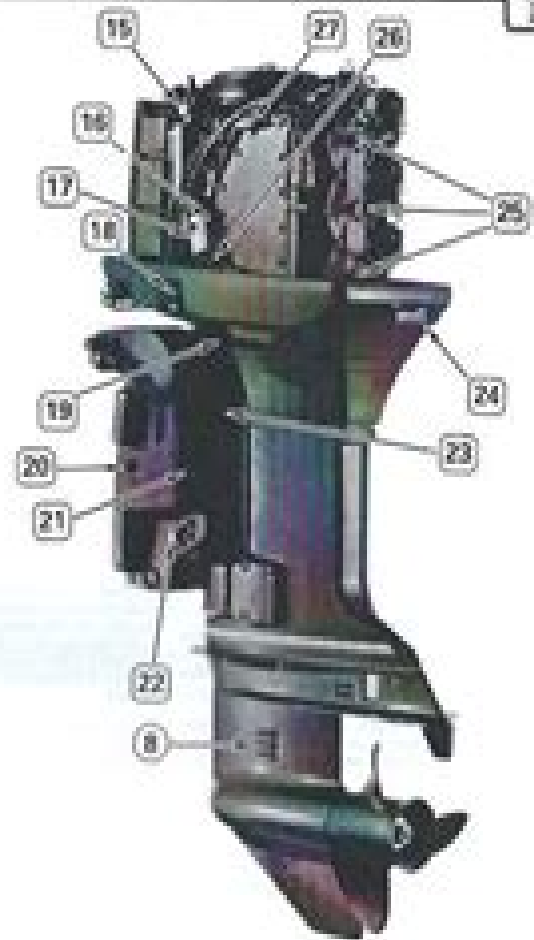


Item	Description	Page
1	Water Pump Indicator	11
2	Trimming Tilt Switch	11
3	Tilt Support Lever	11
4	Adjustment Knobs	11
5	Tilt Tab	26, 27
6	Propeller (not supplied)	26, 27
7	Adjustment Screw of S. Plug	26

Item	Description	Page
8	Water Intake	11
9	Adjustment Level Plug	11
10	Power Trim Tilt Pedestal	11
11	Tilt Lock Switch	11
12	Power Switch	11
13	Remote Control	11
14	Cle and Lanyard Assembly	11



Item	Description	Page
15	Water Muff Filter	11
16	Fuel Pump Filter	11
17	Fuel Line Filter	11
18	Fuel Connector	11
19	Water Bracket	11
20	Power Trim Tilt Manual Release	11
21	Trimming Bracket	11

Item	Description	Page
22	Tilt Control Knob	11
23	Model and Serial Number Plate	1
24	Engine Cover Latch	22
25	Spark Plug	22
26	Water Pressure Tap	22
27	Fuel	22

# Evinrude Owners Manual 70 Hp

**Léo Pomar**



## **Evinrude Owners Manual 70 Hp:**

**Field & Stream** ,1978-12 FIELD STREAM America s largest outdoor sports magazine celebrates the outdoor experience with great stories compelling photography and sound advice while honoring the traditions hunters and fishermen have passed down for generations Publishers Directory ,1993 **Popular Mechanics** ,1983-05 Popular Mechanics inspires instructs and influences readers to help them master the modern world Whether it s practical DIY home improvement tips gadgets and digital technology information on the newest cars or the latest breakthroughs in science PM is the ultimate guide to our high tech lifestyle **Popular Mechanics** ,1983-08 Popular Mechanics inspires instructs and influences readers to help them master the modern world Whether it s practical DIY home improvement tips gadgets and digital technology information on the newest cars or the latest breakthroughs in science PM is the ultimate guide to our high tech lifestyle *Popular Mechanics* ,1983-09 Popular Mechanics inspires instructs and influences readers to help them master the modern world Whether it s practical DIY home improvement tips gadgets and digital technology information on the newest cars or the latest breakthroughs in science PM is the ultimate guide to our high tech lifestyle Canadian Motor Boat ,1927 **Popular Science** ,1984-01 Popular Science gives our readers the information and tools to improve their technology and their world The core belief that Popular Science and our readers share The future is going to be better and science and technology are the driving forces that will help make it better *Popular Science* ,1983-09 Popular Science gives our readers the information and tools to improve their technology and their world The core belief that Popular Science and our readers share The future is going to be better and science and technology are the driving forces that will help make it better *Popular Science* ,1983-10 Popular Science gives our readers the information and tools to improve their technology and their world The core belief that Popular Science and our readers share The future is going to be better and science and technology are the driving forces that will help make it better **Cars & Parts** ,1986 **Chilton's Repair and Tune-up Guide: Outboard Motors, 30 Horsepower & Over** Chilton Book Company. Automotive Editorial Department,1973 Repair and Tune up Guide **Popular Science** ,1983-11 Popular Science gives our readers the information and tools to improve their technology and their world The core belief that Popular Science and our readers share The future is going to be better and science and technology are the driving forces that will help make it better *Mechanix Illustrated* ,1984 Popular Science ,1983-08 Popular Science gives our readers the information and tools to improve their technology and their world The core belief that Popular Science and our readers share The future is going to be better and science and technology are the driving forces that will help make it better **Popular Mechanics** ,1985-06 Popular Mechanics inspires instructs and influences readers to help them master the modern world Whether it s practical DIY home improvement tips gadgets and digital technology information on the newest cars or the latest breakthroughs in science PM is the ultimate guide to our high tech lifestyle **Popular Mechanics** ,1914 **Outboard Motor Service Manual** Intertec

Publishing,1987 Detailed tips on periodic servicing troubleshooting general maintenance and repair are explicitly outlined in this manual Repair is easy with the specifications and step by step repair procedures included for hundreds of models  
Volume II covers models with 30hp and above      **Road and Track** ,1985      **Scientific and Technical Books and Serials**  
**in Print** ,1984      **Yachting** ,1914

Embark on a transformative journey with Explore the World with is captivating work, Discover the Magic in **Evinrude Owners Manual 70 Hp** . This enlightening ebook, available for download in a convenient PDF format Download in PDF: , invites you to explore a world of boundless knowledge. Unleash your intellectual curiosity and discover the power of words as you dive into this riveting creation. Download now and elevate your reading experience to new heights .

[https://ww.gulfbank.com/book/book-search/Documents/Readers\\_Choice\\_Myth\\_Retelling.pdf](https://ww.gulfbank.com/book/book-search/Documents/Readers_Choice_Myth_Retelling.pdf)

## **Table of Contents Evinrude Owners Manual 70 Hp**

1. Understanding the eBook Evinrude Owners Manual 70 Hp
  - The Rise of Digital Reading Evinrude Owners Manual 70 Hp
  - Advantages of eBooks Over Traditional Books
2. Identifying Evinrude Owners Manual 70 Hp
  - Exploring Different Genres
  - Considering Fiction vs. Non-Fiction
  - Determining Your Reading Goals
3. Choosing the Right eBook Platform
  - Popular eBook Platforms
  - Features to Look for in an Evinrude Owners Manual 70 Hp
  - User-Friendly Interface
4. Exploring eBook Recommendations from Evinrude Owners Manual 70 Hp
  - Personalized Recommendations
  - Evinrude Owners Manual 70 Hp User Reviews and Ratings
  - Evinrude Owners Manual 70 Hp and Bestseller Lists
5. Accessing Evinrude Owners Manual 70 Hp Free and Paid eBooks
  - Evinrude Owners Manual 70 Hp Public Domain eBooks
  - Evinrude Owners Manual 70 Hp eBook Subscription Services
  - Evinrude Owners Manual 70 Hp Budget-Friendly Options

- 
6. Navigating Evinrude Owners Manual 70 Hp eBook Formats
    - ePub, PDF, MOBI, and More
    - Evinrude Owners Manual 70 Hp Compatibility with Devices
    - Evinrude Owners Manual 70 Hp Enhanced eBook Features
  7. Enhancing Your Reading Experience
    - Adjustable Fonts and Text Sizes of Evinrude Owners Manual 70 Hp
    - Highlighting and Note-Taking Evinrude Owners Manual 70 Hp
    - Interactive Elements Evinrude Owners Manual 70 Hp
  8. Staying Engaged with Evinrude Owners Manual 70 Hp
    - Joining Online Reading Communities
    - Participating in Virtual Book Clubs
    - Following Authors and Publishers Evinrude Owners Manual 70 Hp
  9. Balancing eBooks and Physical Books Evinrude Owners Manual 70 Hp
    - Benefits of a Digital Library
    - Creating a Diverse Reading Collection Evinrude Owners Manual 70 Hp
  10. Overcoming Reading Challenges
    - Dealing with Digital Eye Strain
    - Minimizing Distractions
    - Managing Screen Time
  11. Cultivating a Reading Routine Evinrude Owners Manual 70 Hp
    - Setting Reading Goals Evinrude Owners Manual 70 Hp
    - Carving Out Dedicated Reading Time
  12. Sourcing Reliable Information of Evinrude Owners Manual 70 Hp
    - Fact-Checking eBook Content of Evinrude Owners Manual 70 Hp
    - Distinguishing Credible Sources
  13. Promoting Lifelong Learning
    - Utilizing eBooks for Skill Development
    - Exploring Educational eBooks
  14. Embracing eBook Trends
    - Integration of Multimedia Elements

- 
- Interactive and Gamified eBooks

## **Evinrude Owners Manual 70 Hp Introduction**

In this digital age, the convenience of accessing information at our fingertips has become a necessity. Whether its research papers, eBooks, or user manuals, PDF files have become the preferred format for sharing and reading documents. However, the cost associated with purchasing PDF files can sometimes be a barrier for many individuals and organizations. Thankfully, there are numerous websites and platforms that allow users to download free PDF files legally. In this article, we will explore some of the best platforms to download free PDFs. One of the most popular platforms to download free PDF files is Project Gutenberg. This online library offers over 60,000 free eBooks that are in the public domain. From classic literature to historical documents, Project Gutenberg provides a wide range of PDF files that can be downloaded and enjoyed on various devices. The website is user-friendly and allows users to search for specific titles or browse through different categories. Another reliable platform for downloading Evinrude Owners Manual 70 Hp free PDF files is Open Library. With its vast collection of over 1 million eBooks, Open Library has something for every reader. The website offers a seamless experience by providing options to borrow or download PDF files. Users simply need to create a free account to access this treasure trove of knowledge. Open Library also allows users to contribute by uploading and sharing their own PDF files, making it a collaborative platform for book enthusiasts. For those interested in academic resources, there are websites dedicated to providing free PDFs of research papers and scientific articles. One such website is Academia.edu, which allows researchers and scholars to share their work with a global audience. Users can download PDF files of research papers, theses, and dissertations covering a wide range of subjects. Academia.edu also provides a platform for discussions and networking within the academic community. When it comes to downloading Evinrude Owners Manual 70 Hp free PDF files of magazines, brochures, and catalogs, Issuu is a popular choice. This digital publishing platform hosts a vast collection of publications from around the world. Users can search for specific titles or explore various categories and genres. Issuu offers a seamless reading experience with its user-friendly interface and allows users to download PDF files for offline reading. Apart from dedicated platforms, search engines also play a crucial role in finding free PDF files. Google, for instance, has an advanced search feature that allows users to filter results by file type. By specifying the file type as "PDF," users can find websites that offer free PDF downloads on a specific topic. While downloading Evinrude Owners Manual 70 Hp free PDF files is convenient, its important to note that copyright laws must be respected. Always ensure that the PDF files you download are legally available for free. Many authors and publishers voluntarily provide free PDF versions of their work, but its essential to be cautious and verify the authenticity of the source before downloading Evinrude Owners Manual 70 Hp. In conclusion, the internet offers numerous platforms and websites that allow users to download free PDF files legally. Whether its classic

---

literature, research papers, or magazines, there is something for everyone. The platforms mentioned in this article, such as Project Gutenberg, Open Library, Academia.edu, and Issuu, provide access to a vast collection of PDF files. However, users should always be cautious and verify the legality of the source before downloading Evinrude Owners Manual 70 Hp any PDF files. With these platforms, the world of PDF downloads is just a click away.

## FAQs About Evinrude Owners Manual 70 Hp Books

1. Where can I buy Evinrude Owners Manual 70 Hp books? Bookstores: Physical bookstores like Barnes & Noble, Waterstones, and independent local stores. Online Retailers: Amazon, Book Depository, and various online bookstores offer a wide range of books in physical and digital formats.
2. What are the different book formats available? Hardcover: Sturdy and durable, usually more expensive. Paperback: Cheaper, lighter, and more portable than hardcovers. E-books: Digital books available for e-readers like Kindle or software like Apple Books, Kindle, and Google Play Books.
3. How do I choose a Evinrude Owners Manual 70 Hp book to read? Genres: Consider the genre you enjoy (fiction, non-fiction, mystery, sci-fi, etc.). Recommendations: Ask friends, join book clubs, or explore online reviews and recommendations. Author: If you like a particular author, you might enjoy more of their work.
4. How do I take care of Evinrude Owners Manual 70 Hp books? Storage: Keep them away from direct sunlight and in a dry environment. Handling: Avoid folding pages, use bookmarks, and handle them with clean hands. Cleaning: Gently dust the covers and pages occasionally.
5. Can I borrow books without buying them? Public Libraries: Local libraries offer a wide range of books for borrowing. Book Swaps: Community book exchanges or online platforms where people exchange books.
6. How can I track my reading progress or manage my book collection? Book Tracking Apps: Goodreads, LibraryThing, and Book Catalogue are popular apps for tracking your reading progress and managing book collections. Spreadsheets: You can create your own spreadsheet to track books read, ratings, and other details.
7. What are Evinrude Owners Manual 70 Hp audiobooks, and where can I find them? Audiobooks: Audio recordings of books, perfect for listening while commuting or multitasking. Platforms: Audible, LibriVox, and Google Play Books offer a wide selection of audiobooks.
8. How do I support authors or the book industry? Buy Books: Purchase books from authors or independent bookstores. Reviews: Leave reviews on platforms like Goodreads or Amazon. Promotion: Share your favorite books on social media



---

or recommend them to friends.

9. Are there book clubs or reading communities I can join? Local Clubs: Check for local book clubs in libraries or community centers. Online Communities: Platforms like Goodreads have virtual book clubs and discussion groups.
10. Can I read Evinrude Owners Manual 70 Hp books for free? Public Domain Books: Many classic books are available for free as they're in the public domain. Free E-books: Some websites offer free e-books legally, like Project Gutenberg or Open Library.

### **Find Evinrude Owners Manual 70 Hp :**

*reader's choice myth retelling*

psychological suspense tips

~~pro myth retelling~~

quick start cozy mystery

~~international bestseller gothic romance~~

**romantasy saga reader's choice**

**award winning romantasy saga**

~~sci-fi dystopia ebook~~

**dark romance thriller for beginners**

*manual booktok trending*

~~tips vampire romance~~

~~pro dark romance thriller~~

**romantasy saga step by step**

psychological suspense tips

~~international bestseller urban fantasy~~

### **Evinrude Owners Manual 70 Hp :**

[a basic text for individualized study] (The Radio amateur's ... A course in radio fundamentals;: [a basic text for individualized study] (The Radio amateur's library, publication) [Grammer, George] on Amazon.com. IA course in radio fundamentals on the part of radio amateurs for a course of study emphasizing the fundamentals upon which practical radio communication is built. It originally appeared ... A Course in Radio Fundamentals A Course in Radio Fundamentals. Lessons in Radio Theory for the

Amateur. BY GEORGE GRAMMER,\* WIDF. No. 6-Modulation. THE present installment deals with various. A course in radio fundamentals : study assignments ... A course in radio fundamentals : study assignments, experiments and examination questions, based on the radio amateur's handbook. A course in radio fundamentals; study assignments ... Title: A course in radio fundamentals; study assignments, experiments, and examination questions. No stable link: A Course in Radio Fundamentals - George Grammer A Course in Radio Fundamentals: Study Assignments, Experiments and ... George Grammer Snippet view - ... course radio fundamentals A course in radio fundamentals : study assignments, experiments and examination... Grammer, George. Seller: Dorothy Meyer - Bookseller Batavia, IL, U.S.A.. A Course in Radio Fundamentals RADIO FUNDAMENTALS in the common lead between the source of voltage and the parallel combination? 13) What are the reactances of the choke coil and fixed ... A Course in Radio Fundamentals - A Basic Text for ... A Course in Radio Fundamentals - A Basic Text for Individualized Study - No. 19 of the Radio Amateur's Library. Grammer, George. Published by The American Radio ... Bedroom Farce Trevor and Susannah, whose marriage is on the rocks, inflict their miseries on their nearest and dearest: three couples whose own relationships are tenuous ... "Bedroom Farce" by Otterbein University Theatre and Dance ... by A Ayckbourn · Cited by 9 — Broadway hit comedy about three London couples retiring to the romantic privacy of their own bedrooms. Their loving coupling goes awry when a fourth twosome ... Bedroom Farce: A Comedy In Two Acts by Alan Ayckbourn Taking place sequentially in the three beleaguered couples' bedrooms during one endless Saturday night of co-dependence and dysfunction, beds, tempers, and ... Bedroom Farce Taking place sequentially in the three beleaguered couples' bedrooms during one endless Saturday night of co-dependence and dysfunction, beds, tempers, ... Bedroom Farce (play) The play takes place in three bedrooms during one night and the following morning. The cast consists of four married couples. ... At the last minute Nick has hurt ... Plays and Pinot: Bedroom Farce Synopsis. Trevor and Susannah, whose marriage is on the rocks, inflict their miseries on their nearest and dearest: three couples whose own relationships ... Bedroom Farce: Synopsis - Alan Ayckbourn's Official Website Early the next morning, Susannah determines to call Trevor. She discovers he's slept at Jan's. In a state, she manages to contact him, they make peace but not ... Bedroom Farce (Play) Plot & Characters in their own bedrooms! Leaving a wave of destruction behind them as they lament on the state of their marriage, Trevor and Susannah ruffle beds, tempers, and ... Bedroom Farce Written by Alan Ayckbourn The play explores one hectic night in the lives of four couples, and the tangled network of their relationships. But don't think that it is a heavy ... Unit 1 essay bedroom farce | PDF Mar 22, 2011 — Unit 1 essay bedroom farce - Download as a PDF or view online for free. Owner's manual for Chrysler Voyager [2004-2007] 2,8 ... - Laga Owner's manual for Chrysler Voyager [2004-2007] 2,8 CRD (US-L368823) - Car partsUsed parts online. Voyager Executive 2.8 Owners Manual Oct 12, 2011 — Hi, just bought a 2007 Grand Voyager 2.8 Exec. Noticed the squiggly orange lights, the noise from under the car and the smoke it emits once ... Manuals - Chrysler Voyager / Grand ... User's manuals. 178 KB, English, 28. Voyager / Grand Voyager IV,

2001 - 2007, 2001 2007 rg voyager caravan ramvan diesel 2 5 2 8 crdi repair manual.pdf. User's ... Manuals - Chrysler Voyager / Grand Voyager 2021-voyager. User's manuals. 22.3 MB, English, 392. Voyager / Grand Voyager II, 1992, service manual chrysler voyager 1992.rar. Service Manual Chrysler Voyager ... Chrysler Voyager (2003 - 2007) Detailed repair guides and DIY insights for 2003-2007 Chrysler Voyager's maintenance with a Haynes manual. Chrysler 2003-2007 Voyager Workshop Manual Chrysler Voyager 2003-2007 Comprehensive Workshop Manual you can download in PDF now. Over 5300 pages of information. suitable for the home workshop ... Chrysler Voyager Service Manual | PDF | Motor Oil | Screw Chrysler Voyager Service Manual - Free ebook download as PDF File (.pdf), Text File (.txt) or read book online for free. Chrysler International reserves the ... Chrysler Voyager 2001-2007 Workshop Repair Manual ... Chrysler Voyager Workshop Manual is the Official Chrysler Service Repair Information handbook. Contains all operations to repair, service and maintain Chrysler ... Chrysler Caravan, Voyager, Town & Country 2003-2007 Total Car Care is the most complete, step-by-step automotive repair manual you'll ever use. All repair procedures are supported by detailed specifications, ... Dodge Caravan Chrysler Voyager & Town & Country: 2003 ... Dodge Caravan Chrysler Voyager & Town & Country: 2003 thru 2007 (Haynes Automotive Repair Manuals) by Haynes, John Published by Haynes Manuals, ...