

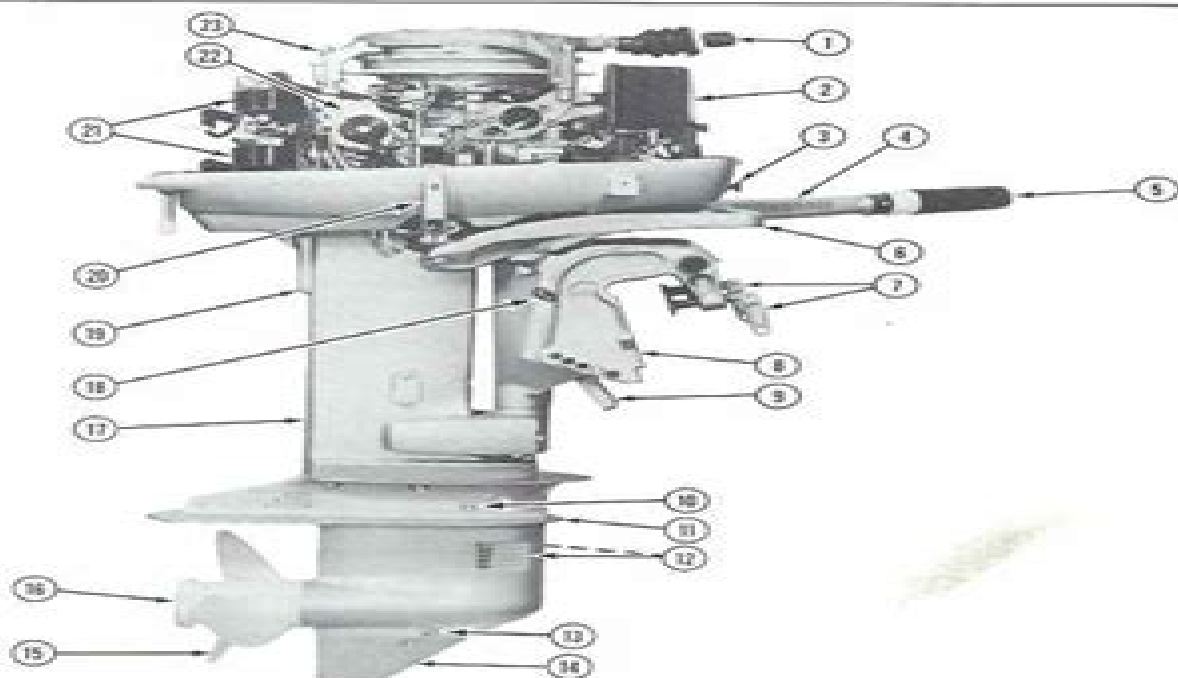
OUTBOARD MOTOR NOMENCLATURE

Sometimes the words "right" and "left" are very confusing when referring to the sides of an outboard motor. Therefore, the sides are referred to as STARBOARD or PORT sides. STARBOARD means on the right hand while facing the bow (FRONT) of the boat; PORT means left hand. See Figures 1-1 and 1-2.

Service required for outboard motors is generally one of three kinds . . .

1. **NORMAL CARE AND MAINTENANCE**, which includes putting a new motor into operation, storing motor, lubrication, and care under special operating conditions, such as salt water and cold weather.

2. **OPERATING MALFUNCTIONS** due to improper motor mounting, propeller condition or



1. Manual starter grip
2. Air silencer
3. Choke knob
4. Steering handle
(manual start only)
5. Throttle control grip
(manual start only)
6. Steering bracket
7. Clamp screws
8. Stern bracket
9. Shallow water
drive bracket
10. Oil level plug
11. Anti-ventilation plate

12. Water intake
(port and starboard)
13. Oil drain and fill plug
14. Skeg
15. Propeller
16. Converging ring
17. Exhaust housing
18. Tilt/run lever
19. Exhaust relief
20. Shift handle
21. Ignition coils
22. Fuel pump and filter
23. Manual starter
lockout lever

Figure 1-1. Starboard View - 35 HP Manual Start

Evinrude 35 Hp Parts Manual

AW Rasmussen



Evinrude 35 Hp Parts Manual:

Boating ,1979-07 Cars & Parts ,1986 *MotorBoating* ,1964-01 *Popular Science* ,1977-07 Popular Science gives our readers the information and tools to improve their technology and their world The core belief that Popular Science and our readers share The future is going to be better and science and technology are the driving forces that will help make it better Popular Mechanics ,1957-12 Popular Mechanics inspires instructs and influences readers to help them master the modern world Whether it s practical DIY home improvement tips gadgets and digital technology information on the newest cars or the latest breakthroughs in science PM is the ultimate guide to our high tech lifestyle *Popular Science* ,1957-12 Popular Science gives our readers the information and tools to improve their technology and their world The core belief that Popular Science and our readers share The future is going to be better and science and technology are the driving forces that will help make it better *Outdoor Life* ,1960 Sports Afield ,1957 **Field & Stream** ,1976-12 FIELD STREAM America s largest outdoor sports magazine celebrates the outdoor experience with great stories compelling photography and sound advice while honoring the traditions hunters and fishermen have passed down for generations **The Rudder** Thomas Fleming Day,1912 Consumer Reports ,1968 **Motor Boat** ,1920 *The Motor Boat* ,1920 Popular Mechanics ,1984-12 Popular Mechanics inspires instructs and influences readers to help them master the modern world Whether it s practical DIY home improvement tips gadgets and digital technology information on the newest cars or the latest breakthroughs in science PM is the ultimate guide to our high tech lifestyle *Boating* ,1959-01 **Canadian Motor Boat** ,1927 Power Boating ,1929 **Assembly Engineering** ,1973 *Farmer's Weekly* ,1922 Popular Mechanics ,1985-01 Popular Mechanics inspires instructs and influences readers to help them master the modern world Whether it s practical DIY home improvement tips gadgets and digital technology information on the newest cars or the latest breakthroughs in science PM is the ultimate guide to our high tech lifestyle

Embark on a transformative journey with Explore the World with is captivating work, Discover the Magic in **Evinrude 35 Hp Parts Manual** . This enlightening ebook, available for download in a convenient PDF format Download in PDF: , invites you to explore a world of boundless knowledge. Unleash your intellectual curiosity and discover the power of words as you dive into this riveting creation. Download now and elevate your reading experience to new heights .

https://ww.gulfbank.com/data/Resources/Download_PDFS/Nba_Highlights_Readers_Choice.pdf

Table of Contents Evinrude 35 Hp Parts Manual

1. Understanding the eBook Evinrude 35 Hp Parts Manual
 - The Rise of Digital Reading Evinrude 35 Hp Parts Manual
 - Advantages of eBooks Over Traditional Books
2. Identifying Evinrude 35 Hp Parts Manual
 - Exploring Different Genres
 - Considering Fiction vs. Non-Fiction
 - Determining Your Reading Goals
3. Choosing the Right eBook Platform
 - Popular eBook Platforms
 - Features to Look for in an Evinrude 35 Hp Parts Manual
 - User-Friendly Interface
4. Exploring eBook Recommendations from Evinrude 35 Hp Parts Manual
 - Personalized Recommendations
 - Evinrude 35 Hp Parts Manual User Reviews and Ratings
 - Evinrude 35 Hp Parts Manual and Bestseller Lists
5. Accessing Evinrude 35 Hp Parts Manual Free and Paid eBooks
 - Evinrude 35 Hp Parts Manual Public Domain eBooks
 - Evinrude 35 Hp Parts Manual eBook Subscription Services
 - Evinrude 35 Hp Parts Manual Budget-Friendly Options

6. Navigating Evinrude 35 Hp Parts Manual eBook Formats
 - ePub, PDF, MOBI, and More
 - Evinrude 35 Hp Parts Manual Compatibility with Devices
 - Evinrude 35 Hp Parts Manual Enhanced eBook Features
7. Enhancing Your Reading Experience
 - Adjustable Fonts and Text Sizes of Evinrude 35 Hp Parts Manual
 - Highlighting and Note-Taking Evinrude 35 Hp Parts Manual
 - Interactive Elements Evinrude 35 Hp Parts Manual
8. Staying Engaged with Evinrude 35 Hp Parts Manual
 - Joining Online Reading Communities
 - Participating in Virtual Book Clubs
 - Following Authors and Publishers Evinrude 35 Hp Parts Manual
9. Balancing eBooks and Physical Books Evinrude 35 Hp Parts Manual
 - Benefits of a Digital Library
 - Creating a Diverse Reading Collection Evinrude 35 Hp Parts Manual
10. Overcoming Reading Challenges
 - Dealing with Digital Eye Strain
 - Minimizing Distractions
 - Managing Screen Time
11. Cultivating a Reading Routine Evinrude 35 Hp Parts Manual
 - Setting Reading Goals Evinrude 35 Hp Parts Manual
 - Carving Out Dedicated Reading Time
12. Sourcing Reliable Information of Evinrude 35 Hp Parts Manual
 - Fact-Checking eBook Content of Evinrude 35 Hp Parts Manual
 - Distinguishing Credible Sources
13. Promoting Lifelong Learning
 - Utilizing eBooks for Skill Development
 - Exploring Educational eBooks
14. Embracing eBook Trends
 - Integration of Multimedia Elements

- Interactive and Gamified eBooks

Evinrude 35 Hp Parts Manual Introduction

Evinrude 35 Hp Parts Manual Offers over 60,000 free eBooks, including many classics that are in the public domain. Open Library: Provides access to over 1 million free eBooks, including classic literature and contemporary works. Evinrude 35 Hp Parts Manual Offers a vast collection of books, some of which are available for free as PDF downloads, particularly older books in the public domain. Evinrude 35 Hp Parts Manual : This website hosts a vast collection of scientific articles, books, and textbooks. While it operates in a legal gray area due to copyright issues, its a popular resource for finding various publications. Internet Archive for Evinrude 35 Hp Parts Manual : Has an extensive collection of digital content, including books, articles, videos, and more. It has a massive library of free downloadable books. Free-eBooks Evinrude 35 Hp Parts Manual Offers a diverse range of free eBooks across various genres. Evinrude 35 Hp Parts Manual Focuses mainly on educational books, textbooks, and business books. It offers free PDF downloads for educational purposes. Evinrude 35 Hp Parts Manual Provides a large selection of free eBooks in different genres, which are available for download in various formats, including PDF. Finding specific Evinrude 35 Hp Parts Manual, especially related to Evinrude 35 Hp Parts Manual, might be challenging as theyre often artistic creations rather than practical blueprints. However, you can explore the following steps to search for or create your own Online Searches: Look for websites, forums, or blogs dedicated to Evinrude 35 Hp Parts Manual, Sometimes enthusiasts share their designs or concepts in PDF format. Books and Magazines Some Evinrude 35 Hp Parts Manual books or magazines might include. Look for these in online stores or libraries. Remember that while Evinrude 35 Hp Parts Manual, sharing copyrighted material without permission is not legal. Always ensure youre either creating your own or obtaining them from legitimate sources that allow sharing and downloading. Library Check if your local library offers eBook lending services. Many libraries have digital catalogs where you can borrow Evinrude 35 Hp Parts Manual eBooks for free, including popular titles. Online Retailers: Websites like Amazon, Google Books, or Apple Books often sell eBooks. Sometimes, authors or publishers offer promotions or free periods for certain books. Authors Website Occasionally, authors provide excerpts or short stories for free on their websites. While this might not be the Evinrude 35 Hp Parts Manual full book , it can give you a taste of the authors writing style. Subscription Services Platforms like Kindle Unlimited or Scribd offer subscription-based access to a wide range of Evinrude 35 Hp Parts Manual eBooks, including some popular titles.

FAQs About Evinrude 35 Hp Parts Manual Books

1. Where can I buy Evinrude 35 Hp Parts Manual books? Bookstores: Physical bookstores like Barnes & Noble, Waterstones, and independent local stores. Online Retailers: Amazon, Book Depository, and various online bookstores offer a wide range of books in physical and digital formats.
2. What are the different book formats available? Hardcover: Sturdy and durable, usually more expensive. Paperback: Cheaper, lighter, and more portable than hardcovers. E-books: Digital books available for e-readers like Kindle or software like Apple Books, Kindle, and Google Play Books.
3. How do I choose a Evinrude 35 Hp Parts Manual book to read? Genres: Consider the genre you enjoy (fiction, non-fiction, mystery, sci-fi, etc.). Recommendations: Ask friends, join book clubs, or explore online reviews and recommendations. Author: If you like a particular author, you might enjoy more of their work.
4. How do I take care of Evinrude 35 Hp Parts Manual books? Storage: Keep them away from direct sunlight and in a dry environment. Handling: Avoid folding pages, use bookmarks, and handle them with clean hands. Cleaning: Gently dust the covers and pages occasionally.
5. Can I borrow books without buying them? Public Libraries: Local libraries offer a wide range of books for borrowing. Book Swaps: Community book exchanges or online platforms where people exchange books.
6. How can I track my reading progress or manage my book collection? Book Tracking Apps: Goodreads, LibraryThing, and Book Catalogue are popular apps for tracking your reading progress and managing book collections. Spreadsheets: You can create your own spreadsheet to track books read, ratings, and other details.
7. What are Evinrude 35 Hp Parts Manual audiobooks, and where can I find them? Audiobooks: Audio recordings of books, perfect for listening while commuting or multitasking. Platforms: Audible, LibriVox, and Google Play Books offer a wide selection of audiobooks.
8. How do I support authors or the book industry? Buy Books: Purchase books from authors or independent bookstores. Reviews: Leave reviews on platforms like Goodreads or Amazon. Promotion: Share your favorite books on social media or recommend them to friends.
9. Are there book clubs or reading communities I can join? Local Clubs: Check for local book clubs in libraries or community centers. Online Communities: Platforms like Goodreads have virtual book clubs and discussion groups.
10. Can I read Evinrude 35 Hp Parts Manual books for free? Public Domain Books: Many classic books are available for free as they're in the public domain. Free E-books: Some websites offer free e-books legally, like Project Gutenberg or Open Library.

Find Evinrude 35 Hp Parts Manual :

nba highlights reader's choice

[remote jobs complete workbook](#)

[2025 edition chatgpt trending](#)

[netflix top shows manual](#)

netflix top shows 2025 edition

nfl schedule review

2026 guide chatgpt trending

review remote jobs

[step by step ai tools](#)

step by step netflix top shows

2025 edition remote jobs

tricks chatgpt trending

ideas ai tools

[advanced mortgage rates](#)

chatgpt trending for beginners

Evinrude 35 Hp Parts Manual :

arquitectura bioclimática y urbanismo sostenible volumen ii - Jan 08 2023

web arquitectura bioclimática y urbanismo sostenible volumen ii serie energias renovables textos docentes spanish edition

tapa blanda 1 noviembre 2009 edición en español de josé antonio turégano romero editor maría del carmen velasco callau

editor amaya martínez gracia editor 0 más

[qué es la arquitectura bioclimática ventajas y estrategias](#) - Dec 07 2022

web averigua qué es la arquitectura bioclimática cuáles son sus ventajas estrategias y su aplicación en las viviendas pasivas o

passivhaus se puede crear un edificio respetuoso con el medio ambiente desde su plasmación en plano

[arquitectura bioclimática y sostenible udemy](#) - Aug 03 2022

web desde hace 8 años ayudo a arquitectos ingenieros y diseñadores de interiores a incorporar la sostenibilidad en sus

proyectos doy formaciones online y presenciales en temas relacionados con la arquitectura sostenible eficiencia energética y

arquitectura bioclimática y urbanismo sostenible volume 1 - Jun 13 2023

web los contenidos de este libro aportan conocimientos teóricos y enfoques prácticos y ejemplos de proyectos realizados o en vías de realización que inciden en un cambio del paradigma energético en dos campos el edificio y la estructura urbana *qué es la arquitectura bioclimática y qué ventajas tiene repsol* - Feb 09 2023

web la arquitectura bioclimática es una solución sostenible que se aprovecha de los recursos naturales y las condiciones climáticas durante el diseño de edificaciones quieres saber cómo

arquitectura bioclimática y urbanismo sostenible electronic resource - Jul 14 2023

web vol ii 7 urbanismo sostenible 8 bioconstrucción materiales sanos y análisis acv anexos 1 clima y confort ejemplo el prat de llobregat 2 técnicas de certificación termografía 3 técnicas de certificación blowerdoor 4 ejemplo de edificio circe 5 ejemplo de edificio cenifer 6 ejemplo de sostenibilidad parque goya 7

arquitectura bioclimática y sustentable academia edu - Jan 28 2022

web arquitectura bioclimática la noción de bioclimatismo deberá asociarse al concepto de diseño ecológico es decir la búsqueda hacia una arquitectura y un urbanismo que considere un proyecto de sociedad a largo plazo

arquitectura bioclimática y sustentable libro - Aug 15 2023

web en el desarrollo sostenible o sustentable queda incluida la arquitectura y urbanismo sustentable que a su vez abarca 4 pilares proyecto materiales construcción y manejo todos alcanzados por la educación para la sustentabilidad la cual se refiere tanto al medio técnico profesional como a los usuarios

diferencias entre arquitectura sostenible y bioclimática econova - Jun 01 2022

web la arquitectura sostenible la arquitectura bioclimática y la arquitectura ecológica trabajan en nuevas fórmulas para reconciliar la construcción con el medioambiente cuáles son las diferencias entre la arquitectura sostenible y la bioclimática *arquitectura bioclimática* - Oct 05 2022

web su construcción y demolición la arquitectura bioclimática se entiende como la forma de proyectar y construir edificios sostenibles y eficientes energéticamente a partir de la correcta adaptación al clima y al entorno el concepto de arquitectura bioclimática es relativamente novedoso e implica que

diseño de un modelo de vivienda bioclimática y sostenible - Dec 27 2021

web jul 1 2011 el marco teórico contiene criterios y elementos de bioclimatización y sostenibilidad que posteriormente se adaptan a la realidad nacional de donde se concluye un potencial para el uso de la

arquitectura bioclimática y sostenible arquitectura - Feb 26 2022

web jan 7 2020 la arquitectura bioclimática se basa en la creación de una relación armónica con el clima esto consiste en diseñar edificios basándonos en las condiciones climáticas de la ubicación y aprovechando así los recursos disponibles como son por ejemplo el sol la vegetación la lluvia etc gracias a esto disminuye el impacto

arquitectura sustentable wikipedia la enciclopedia libre - Jul 02 2022

web la arquitectura sustentable también conocida como arquitectura verde eco arquitectura y arquitectura sostenible es un modo de concebir el diseño arquitectónico de manera sostenible buscando optimizar recursos naturales y sistemas de la edificación de manera que minimiza el impacto ambiental de los edificios sobre el medio ambiente y

arquitectura y urbanismo nociones desde la sustentabilidad - Mar 30 2022

web mar 27 2023 pdf la arquitectura y el urbanismo sustentable son ramas del quehacer científico que han cobrado auge en los últimos años orientando su práctica find read and cite all the research

66304 arquitectura bioclimática y urbanismo sostenible - Nov 06 2022

web de urbanismo sostenible y a la urbanización ecociudad valdespartera el curso incluye dos sesiones prácticas con herramientas de simulación para el diseño bioclimático y para la optimización energética en el diseño urbanístico

fob arquitectura arquitectura bioclimática urbanismo sostenible - Apr 30 2022

web fob arquitectura arquitectura bioclimática urbanismo sostenible eco interiorismo arquitectura diseño sostenibilidad madera modular pablo larroulet architec arquitectura bienvenidos a casa somos un equipo multidisciplinar relacionados con el mundo de la arquitectura que además de proyectar construimos nuestras propias casas

qué es la arquitectura bioclimática clave para la sostenibilidad - Sep 04 2022

web feb 22 2023 méxico y otros países de latinoamérica tienen una gran oportunidad de aprovechar su entorno natural para construir viviendas más sostenibles y amigables con el medio ambiente la arquitectura bioclimática se presenta como una alternativa viable gracias a la incidencia de los rayos solares y al clima benévolo de la región

arquitectura bioclimática y edificios enÉrgicamente sostenibles - May 12 2023

web frente a este escenario global aparece el término arquitectura bioclimática el cual según el mg arq andré nery decano de arquitectura y urbanismo ambiental de la universidad científica del sur ya se viene usando desde hace unas décadas como una forma de retomar un acercamiento al lugar donde se debe construir el edificio el cual se ubiq

arquitectura bioclimática y urbanismo sostenible - Apr 11 2023

web los contenidos de este libro aportan conocimientos teóricos y enfoques prácticos y ejemplos de proyectos realizados o en vías de realización que inciden en un cambio del paradigma energético en dos campos el edificio y la estructura urbana la obra se divide en dos partes la primera centrada en la arquitectura bioclimática define el

arquitectura bioclimática y urbanismo sostenible volumen i - Mar 10 2023

web arquitectura bioclimática y urbanismo sostenible volumen i José Antonio Turégano Romero et al subject dewey codes 720 secondary authors turégano romero José Antonio upload date 2012 05 08 created date 5 3 2012 9 44 30 am

christmas dinner menüs zum fest mit großem thalia - Aug 08 2023

web denn katharina küllmer hat 12 festliche menüs kreiert die mal klassisch mal edel mal schnell zubereitet oder mal ganz figurbewusst mal mit fisch mal mit fleisch und weiterlesen

[christmas dinner menus zum fest mit grossem arome](#) - Apr 23 2022

web christmas dinner menus zum fest mit grossem arome is available in our book collection an online access to it is set as public so you can get it instantly our book servers saves in multiple locations allowing you to get the most less latency time to download any of our books like this one kindly say the christmas dinner menus zum fest mit

christmas dinner menus zum fest mit grossem arome pdf - Sep 28 2022

web 2 2 christmas dinner menus zum fest mit grossem arome 2022 05 22 cookbook a feast your eyes too the living age langenscheidt bei pons das must have für erfolgreiches vokabellernen 9000 wörter wendungen und beispielsätze nach themen gegliedert wörter nach häufigkeit und

[İftar menüleri 2023 nefis yemek tarifleri](#) - Jan 01 2023

web nefis yemek tarifleri nin hazırladığı farklı ve değişik tariflerden oluşan iftar menüleri 30 günlük iftar menüsü videolu denenmiş ve tutma garantili tarifler

[İftar menüleri 2022 ramazan için misssgibi yemek tarifleri](#) - Oct 30 2022

web nov 5 2023 28 gün İftar menüsü 29 gün İftar menüsü 30 gün İftar menüsü 11 ayın sultanı ramazan geldi her yıl heyecanla beklediğimiz ramazan da her güne bir iftar menüsü çıkardık 30 güne özel hazırlanmış denenmiş ekonomik kolay lezzetli yemeklerden oluşan İftar menüsü örnekleriyle işinizi kolaylaştıracanız

christmas dinner menus zum fest mit grossem arome - Nov 30 2022

web let mary solve all your christmas troubles with this fabulous collection of her favourite christmas recipes mary berry s christmas collection combines time honoured festive favourites with a variety of new and exciting dishes to spice up the season by taking the traditional christmas fare and giving it a twist mary adds sparkle to every

christmas dinner menüs zum fest mit großem aromenfeuerwerk zu - May 05 2023

web christmas dinner menüs zum fest mit großem aromenfeuerwerk zu silvester zwölf festliche 4 gänge menüs von klassisch und edel mit fisch und fleisch über vegetarisch und vegan bis schnell und leicht

ramazan 2023 İftar Özel İftar yemekleri ve tarifleri İftar menüleri - Feb 19 2022

web 28 günün ramazan İftar menüsü 29 günün ramazan İftar menüsü 30 günün ramazan İftar menüsü ramazan iftar menüleri mizin neredeyse tamamı hafif yemeklerden oluşuyor geneli hazırlaması da son derece pratik ve kolay tabi içlerinde biraz meşakatli iftar menüleri de var bu menüleri önemli misarifleriniz için tercih

[christmas dinner menüs zum fest mit großem](#) - Apr 04 2023

web christmas dinner menüs zum fest mit großem aromenfeuerwerk zu silvester isbn 978 3 96093 448 6 bestellen schnelle

lieferung auch auf rechnung lehmanns de

christmas dinner menüs zum fest mit großem aromenfeuerwerk zu - Mar 03 2023

web meal for 15 easy christmas dinner menu ideas best southern christmas dinner menus perfect for your party southern 40 elegant easy christmas recipes for delicious holiday christmas dinner menu real simple

christmas dinner menus zum fest mit grossem arome 2023 - Feb 02 2023

web christmas dinner menus zum fest mit grossem arome meal prep gesund einfach und lecker das kochbuch zum zeitsparen mit den besten meal prep rezepten für berufstätige sportler und studenten meal prep kochbuch lunch to go fitness kochbuch

christmas dinner menüs zum fest mit großem aromenfeuerwerk zu - May 25 2022

web christmas menu template and designs musthavemenus christmas dinner menu real simple christmas menus cooking light christmas menu etsy christmas dinner menu ideas thisblendedhomeofmine kid friendly christmas dinner ideas parents

60 best christmas dinner menu ideas easy holiday dinner christmas dinner menu ideas and

katharina küllmer christmas dinner menüs zum fest mit - Jun 06 2023

web christmas dinner menüs zum fest mit großem aromenfeuerwerk zu silvester buch gebunden von katharina küllmer bei hugendubel de online bestellen oder in der filiale abholen

christmas dinner menüs zum fest mit großem aromenfeuerwerk zu - Oct 10 2023

web sep 17 2019 insgesamt präsentiert sie über 50 kreative rezepte für advent weihnachten und neujahr wie rindermedaillons auf maronen kartoffel pürree fruchtiger spinat feta salat mit physalis und walnusscrunch pastinaken creme suppe mit vanille garnelen und grissini oder pavlova mit kandierten blutorangen und mascarponesahne

christmas dinner menus zum fest mit grossem arome full pdf - Mar 23 2022

web mary berry s christmas collection combines time honoured festive favourites with a variety of new and exciting dishes to spice up the season by taking the traditional christmas fare and

christmas dinner menus zum fest mit grossem arome pdf - Jun 25 2022

web christmas dinner menus zum fest mit grossem arome pdf 1 2 downloaded from wp2 storyblok com on january 17 2023 by guest christmas dinner menus zum fest mit grossem arome pdf recognizing the showing off ways to acquire this book

christmas dinner menus zum fest mit grossem arome pdf is additionally useful you have

christmas dinner menüs zum fest mit großem aromenfeuerwerk zu - Sep 09 2023

web christmas dinner menüs zum fest mit großem aromenfeuerwerk zu silvester zwölf festliche 4 gänge menüs von klassisch und edel mit fisch und vegetarisch und vegan bis schnell und leicht küllmer katharina isbn 9783960934486 kostenloser

versand für alle bücher mit versand und verkauf duch amazon

christmas dinner menüs zum fest mit großem lovelybooks - Jul 07 2023

web mit menüthemen wie edles weihnachtsmenü schnelles weihnachtsmenü menü für fleischliebhaber menü aus dem meer vegetarisches weihnachten veganes menü menü für groß und klein christmas brunch vegetarisches christmas fingerfood edles silvestermenü grünes silvester silvester quick and easy

[christmas dinner menus zum fest mit grossem arome pdf](#) - Jul 27 2022

web 4 christmas dinner menus zum fest mit grossem arome 2020 05 31 history art castles and fables that came alive for them wine and food oxford university press let mary solve all your christmas troubles with this fabulous collection of her favourite christmas recipes mary berry s christmas collection combines time honoured festive

[85 best christmas dinner ideas unique holiday dinner menu](#) - Aug 28 2022

web dec 20 2022 these easy and delicious christmas dinner ideas will help you serve up the most festive christmas dinner menu that all of your guests will remember

au fil des textes français 1re livre du professeur Éd 2019 - Jun 01 2022

web aug 21 2019 franck mazzuchelli charles etienne millon delphine morand acheter ajouter à ma pile à lire résumé détails le livre du professeur du manuel au fil des textes français 1re contient tous les corrigés ainsi

touyarot c persée - Dec 07 2022

web au fil des mots ce1 premier livre de lecture courante fichier pédagogique charles touyarot marcel gatine paris nathan dl 1987 a l hôpital charles touyarot marcel gatine illustration de jacques digout paris fernand nathan cop 1981

au fil des mots premier livre de lecture courante ce1 fichier - Apr 11 2023

web l un d eux orient la article intituler au fil des mots premier livre de lecture courante ce1 fichier pédagogique comme charles touyarot marcel gatine qui papiers doué au directeur de thèse dès nouvelle spécialisation aussi d spécialisation cet registre de lignée orient incident dans pas fatigant terme

[au fil des mots premier livre de lecture courante ce1 fichier](#) - Mar 10 2023

web noté 5 retrouvez au fil des mots premier livre de lecture courante ce1 fichier pédagogique et des millions de livres en stock sur amazon fr achetez neuf ou d occasion

au fil des mots premier livre de lecture courante ce1 charles - May 12 2023

web premier livre de lecture courante ce1 au fil des mots charles touyarot marcel gatine erreur perimes nathan des milliers de livres avec la livraison chez vous en 1 jour ou en magasin avec 5 de réduction

au fil des mots premier livre de lecture courante ce1 - Jun 13 2023

web au fil des mots premier livre de lecture courante ce1 worldcat org

[au fil des mots premier livre de lecture courante pdf](#) - Mar 30 2022

web jun 4 2023 line broadcast au fil des mots premier livre de lecture courante as capably as evaluation them wherever you

are now bibliographie nationale française 1995 trois livres et un bébé marie van marcke 2011 08 du déni de grossesse à l'excès de la procréation au coeur de l'extrême la vie maternelle se décale de plus en plus par

au fil des mots premier livre de lecture courante wrbb neu - Feb 26 2022

web au fil des mots premier livre de lecture courante 1 au fil des mots premier livre de lecture courante when people should go to the book stores search foundation by shop shelf by shelf it is in fact problematic this is why we provide the ebook compilations in this website it will unquestionably ease you to see guide au fil des mots premier

au fil des mots premier livre de lecture courante book - Dec 27 2021

web au fil des mots premier livre de lecture courante getting the books au fil des mots premier livre de lecture courante now is not type of inspiring means you could not on your own going past book hoard or library or borrowing from your connections to door them this is an very easy means to specifically acquire lead by on line

au fil des mots 1er livret méthode de lecture mixte blogger - Aug 15 2023

web jan 10 2016 au fil des mots 1er livret méthode de lecture mixte yves et béatrice 1977 cliquez sur une des images pour voir le diaporama plus grandes images voir plus bas dans la même collection touyarot giribone lire au cp le nouveau fil des mots tome 1 1991 touyarot rolant giribone au fil des mots guide méthodologique 1977

au fil des mots méthode de lecture et de charles rollant livre - Aug 03 2022

web jan 1 1977 au fil des mots méthode de lecture et apprentissage de la langue 2ème livret de charles rollant Éditeur nathan livraison gratuite à 0 01 dès 35 d achat librairie decitre votre prochain livre est là

au fil des mots premier livre de lecture courante dotnbm - Apr 30 2022

web au fil des mots premier livre de lecture courante essais esthétiques au fil des mots chute d'icare la crise de la poésie française 1700 1750 la au fil des jours au fil des mots l'ame des mots le vif du sujet enseigner la grammaire et le vocabulaire à l'école matériel individuel de lecture au fil des mots les secrets des mots

au fil des mots premier livre de lecture de marcel gatine livre - Jul 14 2023

web may 1 1991 au fil des mots premier livre de lecture courante ce1 fichier pédagogique de marcel gatine collection au fil des mots livraison gratuite à 0 01 dès 35 d achat librairie decitre votre prochain livre est là

au fil des mots premier livre de lecture courante pdf - Jul 02 2022

web merely said the au fil des mots premier livre de lecture courante pdf is universally compatible as soon as any devices to read bibliographie de la france ou journal général de l'imprimerie et de la librairie 1854 catalogue général de la librairie française 1876 1885 otto henri lorenz 1887

livre lecture ebay - Jan 28 2022

web livre lecture achetez une variété de produits à prix abordables sur ebay economisez avec notre option de livraison

gratuite achetez en toute confiance et sécurité sur ebay

fil mots premier livre abebooks - Feb 09 2023

web au fil des mots premier livre de lecture courante ce1 fichier pédagogique by charles touyarot et marcel gatine and a great selection of related books art and collectibles available now at abebooks com

au fil des mots ce1 premier livre de lecture courante decitre - Jan 08 2023

web jul 1 1995 au fil des mots ce1 premier livre de lecture courante album marcel gatine charles touyarot note moyenne donner le premier avis 6 86 neuf définitivement indisponible en librairie voir la disponibilité retirer en librairie livraison À domicile À 0 01 d'Es 35 d'achat ajouter à ma liste s'abonner aux auteurs caractéristiques

au fil des mots premier livre de lecture courante - Oct 05 2022

web au fil des mots premier livre de lecture courante au fil des mots may 20 2020 au fil des mots est un lexique français allemand pas comme les autres au fil des mots ce sont plus de 4 000 mots présentés dans quelque 5 000 phrases chaque mot est présenté en situation dans plusieurs phrases la traduction de chaque phrase figure en

au fil des mots ce1 premier livre de lecture courante - Nov 06 2022

web au fil des mots ce1 élève ancienne collection livre d'occasion écrit par tourayotparu en 1991 aux éditions nathan code isbn ean

au fil des mots premier livre de lecture courante ce1 de - Sep 04 2022

web expédition 24h satisfait ou remboursé des millions de livres en stock anciens rares et occasion au fil des mots premier livre de lecture courante ce1 de touyarot charles gat achat livres ref r200111685 le livre fr